

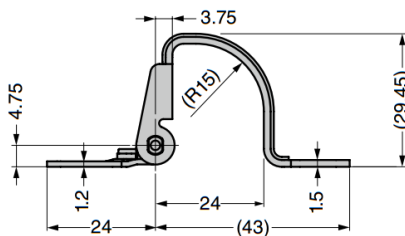
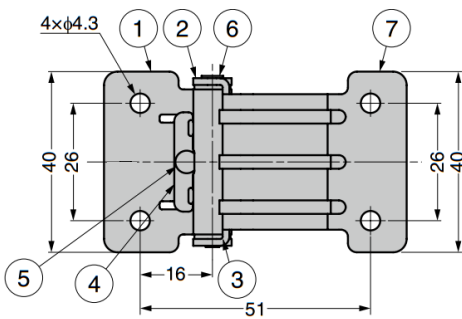
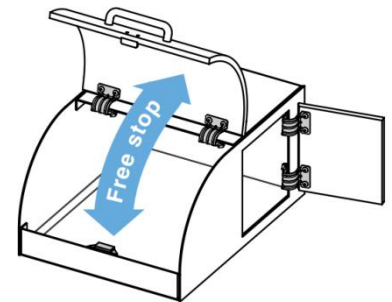
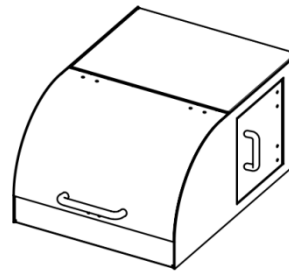
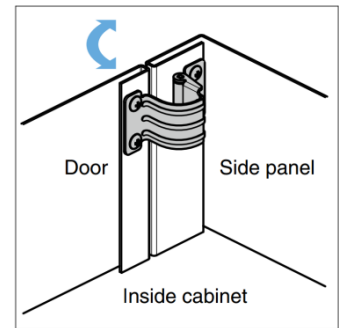
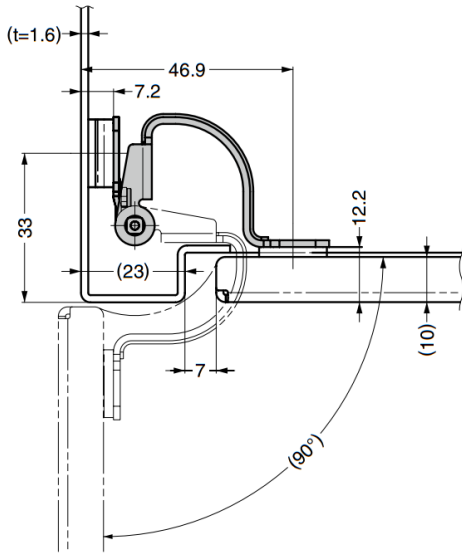
GHG-TU Concealed Torque Hinge

Features

- Hinge with friction torque holds lid / door in desired position
- Installation on the back side of the door for clean appearance
- Can be used for horizontal or vertical applications
- Passed 20,000 life cycle test

Notes

- Ensure hinge shafts are aligned during installation



No.	Part Name	Material	Finish / Colour
①	Body	Stainless Steel (SUS304)	Barrel Polished
②	Fixing Tube L	POM	Black
③	Fixing Tube R		
④	Press Washer	Stainless Steel (SUS304)	Barrel Polished
⑤	Pin	Stainless Steel	-
⑥	Shaft	Stainless Steel (SUS303)	-
⑦	Base	Stainless Steel (SUS304)	Barrel Polished

Part No.	Torque (per piece)	
GHG-TU03	0.35 N.m +40% -20%	3.6 kgf.cm +40% -20%
GHG-TU07	0.7 N.m +40% -20%	7.1 kgf.cm +40% -20%